

DEGASSED CATION CONDUCTIVITY DG 105

DESCRIPTION

The cation conductivity degasser DG-105 is a device designed to obtain the value of the conductivity of a sample, eliminating the contribution to it of possible gases that may be dissolved. After subjecting the sample to boiling, releasing any gas can be dissolved, a cooling is performed at 25-30 ° C, and then the treated sample to a conductivity cell is introduced.

Degassed cationic conductivity is an important parameter for the boiler, most boiler manufacturers have specified that the value of the cation conductivity in the steam must be below a certain limit of conductivity (less than 0.5 microsecond / cm), to avoid damage to it or the turbine.



APPLICATIONS

- Steam-water analysis systems.
- Manual sampling systems.

FEATURES

- Including all necessary components as a complete unit, just piping, plug-in and ready to use.
- Provide with necessary shell protection to prevent operators from hot injury.
- Compact wall mount design.
- Sample cooler ensures CC and DCC probes receive identical sample temperatures, eliminating errors.

DEGASSED CATION CONDUCTIVITY DG 105

SPECIFICATIONS

Pressure Rating:	4 bar(g)
Sample Flow:	50 to 250 cc /min.
Sample Connection:	1/4 " NPTF inlet / 1/8"NPTF outlet).
Sample Cooler Type:	SC-1
Cooler Cooling Water Connections:	1/2 " NPTF
Cooling Water Consumption:	2 l/min
Input Power:	110-120/220-240 VAC, 50/60 Hz.
Power Consumption:	1.6 KVA
Plate mounting:	Stainless steel

ORDERING INFORMATION	DG-105	--	--	--	--
<p>De-gassed units A.- Re-boiling unit B.- Re-boiling unit plus de-gassed conductivity analyzer. C.- Re-boiling unit plus cation and de-gassed conductivity analyzer D.- Re-boiling unit plus specific, cation and de-gassed conductivity analyzer E.- Re-boiling unit plus specific, cation, de-gassed conductivity analyzer and PH calculate</p>					
<p>Resin Columns 0.- None 1.- 1 resin column 2.- 2 resin column in parallel C.- Others</p>					
<p>Protection No Flow 0.- None 1.- Switch protection No Flow</p>					
<p>Electrical supply F.- 120 VAC 60 Hz G.- 230 VAC 60 Hz</p>					

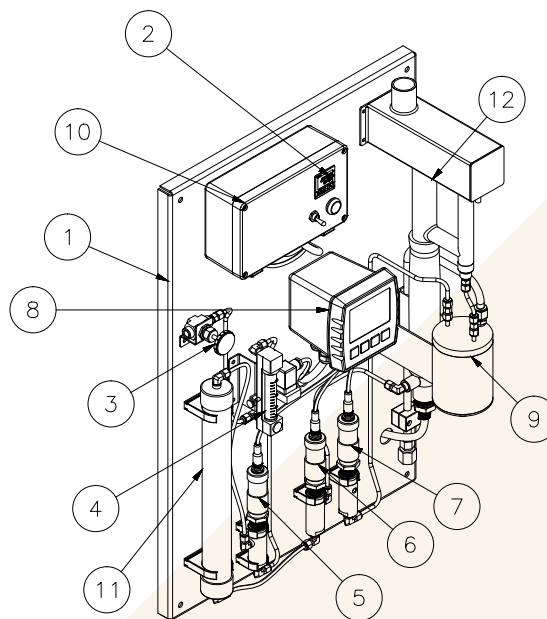
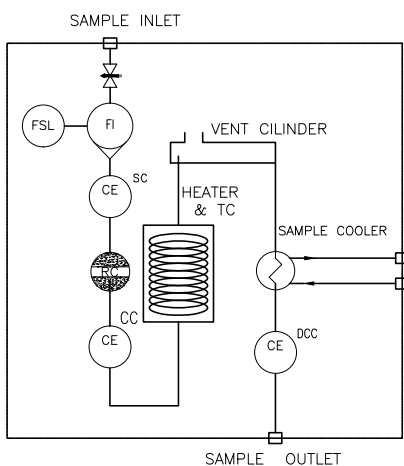
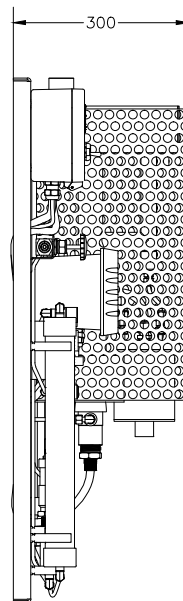
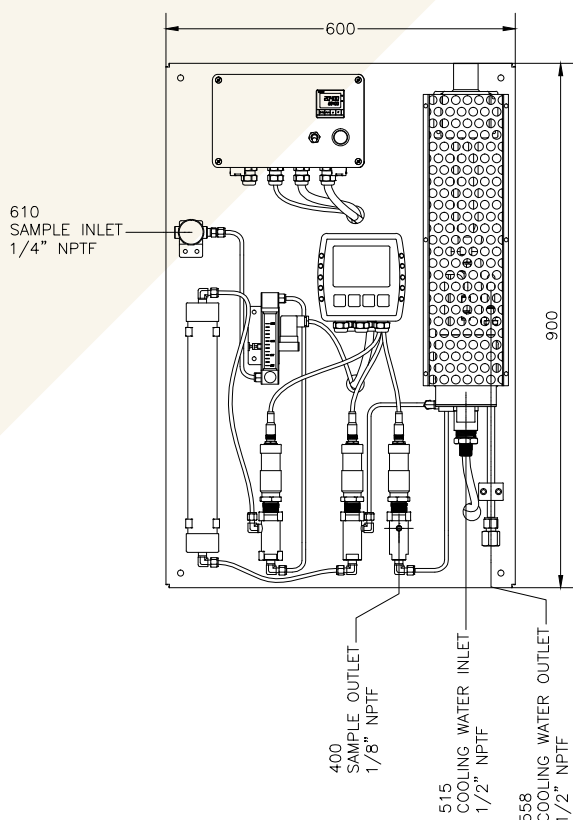
SPARE PARTS

Part #	Name
H1500-120	Heating Cartidge 120 VAC
H-1500-230	Heating Cartidge 230 VAC
RD-105	Solid State relay 110-230 VAC 50/60 Hz

DIMMENSIONS

Drawings according to Ref. DG-105-D-1-1-F/G

in mm

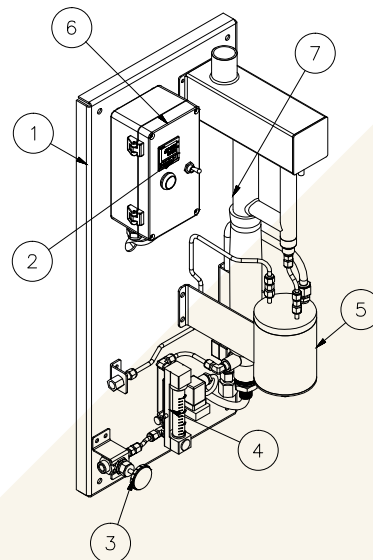
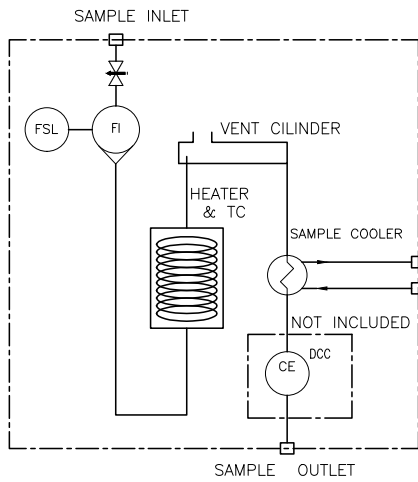
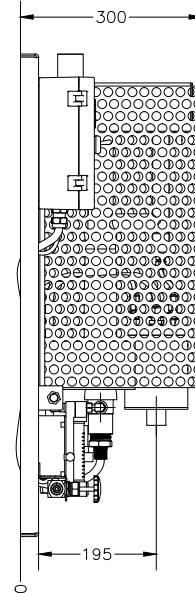
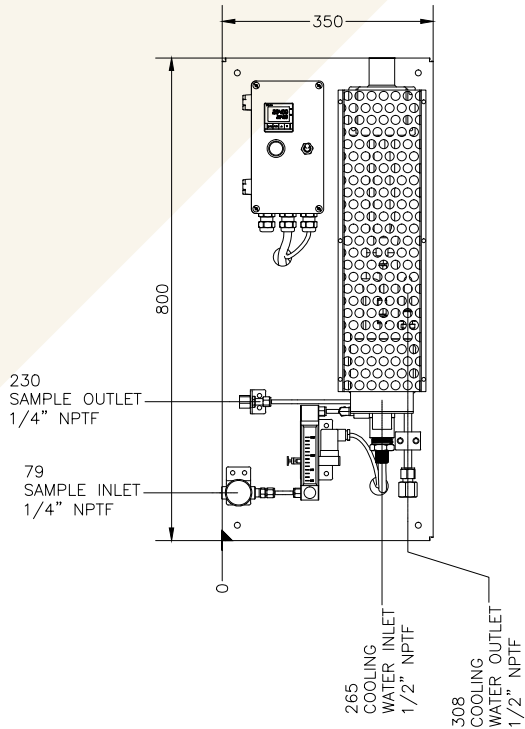


MAIN ELEMENTS

- | | |
|-----------------------------------|----------------------------|
| 1.- Mounting Plate | 7.- DCC Sensor |
| 2.- Temperature controller | 8.- Transmitter |
| 3.- Isolating valve 1/4" | 9.- Sample Cooler |
| 4.- Rotameter with low flow alarm | 10.- Electrical box |
| 5.- SC Sensor | 11.- Resin column |
| 6.- CC Sensor | 12.- Heater & Thermocouple |

DIMMENSIONS

Drawings according to Ref. DG-105-A-0-1-F/G
in mm



MAIN ELEMENTS

- | | |
|-----------------------------------|---------------------------|
| 1.- Mounting Plate | 5.- Sample Cooler |
| 2.- Temperature controller | 6.-Electrical box |
| 3.- Isolating valve 1/4" | 7.- Heater & Thermocouple |
| 4.- Rotameter with low flow alarm | |